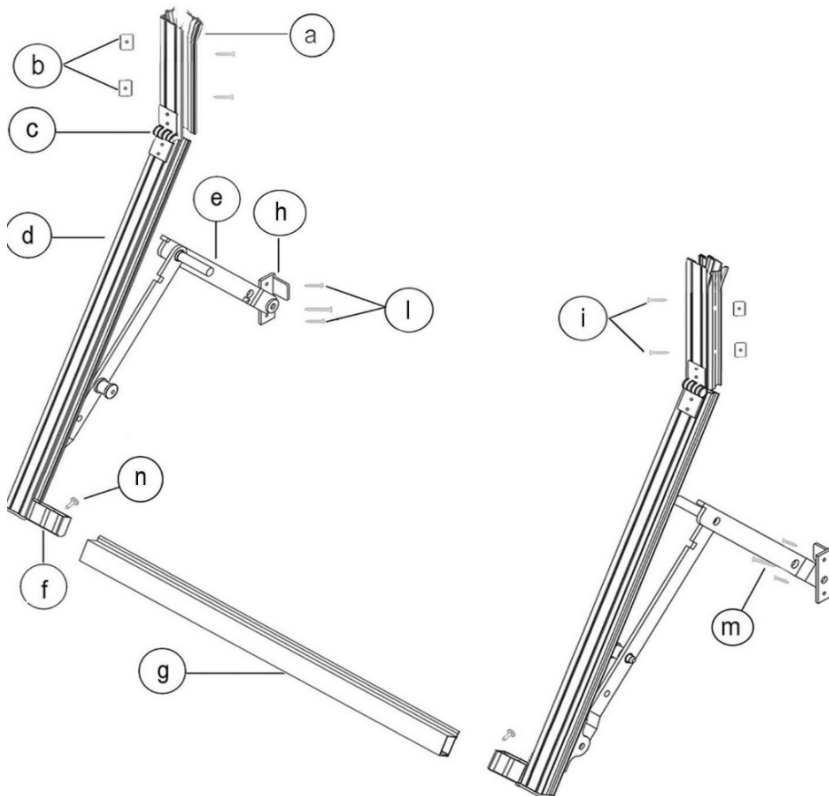
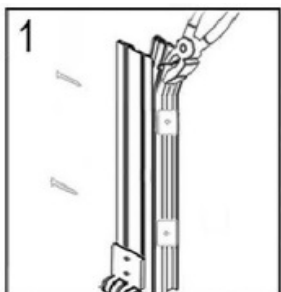


**INSTALLATION INSTRUCTIONS LATERAL LEVER "SPOCAL" and "SPOCAL LIGHT" PROJECTION FRAMES**

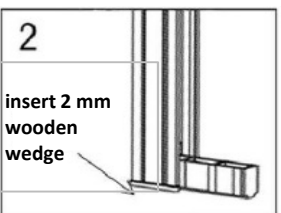


<b>a</b>	Fixed superior guide
<b>b</b>	Anti-rubbing nylon axle box
<b>c</b>	Hinges
<b>d</b>	Mobile guide
<b>e</b>	Arms LL
<b>f</b>	Nylon inner stopper
<b>g</b>	Crossbar
<b>h</b>	Aluminium rest arms LL

SCREW KIT	
<b>i</b>	N°4 Screws 3,9x25 T.G.S.
<b>l</b>	N°4 Screws 3,9x25 T.C.
<b>m</b>	N°2 Screws 3,9x32 T.G.S.
<b>n</b>	N°2 Screws 3,9x13 T.C.



1. Place the anti-rubbing axle-boxes (**b**) over the two holes in the fixed guides (**a**). Split the upper part of the guides to make the easy entry of the rolling shutter.
2. Place the guides (**a+d**) into the window opening and insert 2 mm wooden wedge height under them to avoid the projection frame rubbing on the window sill after installation. Fix the guides (**a**) to the wall using the 3,9x25 T.G.S (**i**) screws.
3. Insert the nylon inner stoppers (**f**) into the crossbar (**g**) to connect it to the mobile guides (**d**). Fix them with the 3,9x13 T.C. (**n**) screws.



4. Close the projection frame and align the guides (**a+d**) perpendicular to the window sill. Keep arm and guide together (**e+d**). Fix the arm to the wall through the central hole using 3,9x32 T.G.S. (**m**) screws. **Unlock the arm and move 1 mm the aluminum rest (h) towards the arm; fix the lower part of the rest (lower hole) and then fix the top using 3,9x25 T.C. (l) screws.** This prevents the arm rattling against the guide after installation. Repeat the same operations on the other side.

