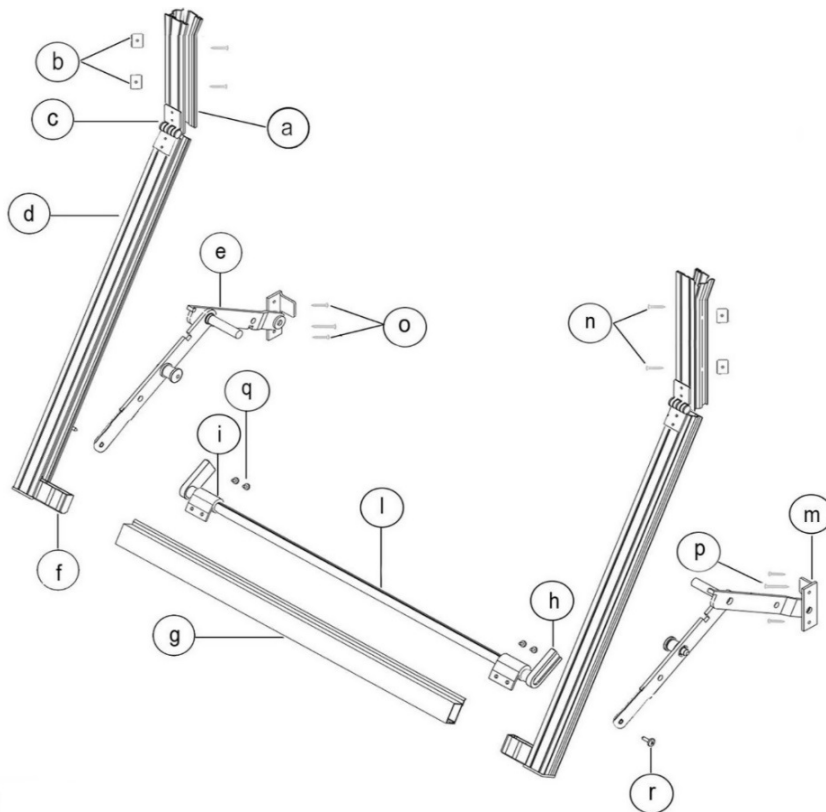
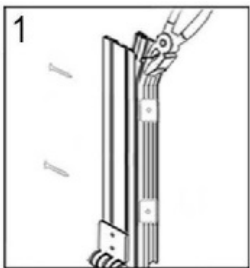


INSTALLATION INSTRUCTIONS LATERAL LEVER "STARK" PROJECTION FRAME

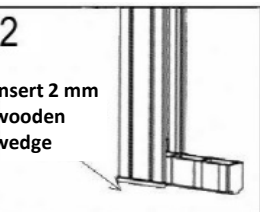


a	Fixed superior guide
b	Anti-rubbing nylon axle box
c	Hinges
d	Mobile guide
e	Arms LL
f	Nylon inner stopper
g	Crossbar
h	Nylon bushing
i	Eyelet
l	Rod
m	Aluminium rest arms LL

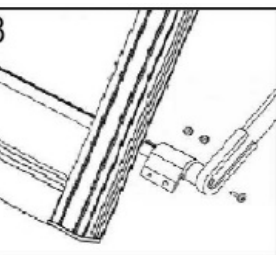
SCREW KIT	
n	 N°4 Screws 3,9x25 T.G.S.
o	 N°4 Screws 3,9x25 T.C.
p	 N°2 Screws 3,9x32 T.G.S.
q	 N°4 Screws 3,9x13 T.C.
r	 N°2 Screws 5,5x16 T.C.



1. Place the anti-rubbing axle-boxes(**b**) over the two holes in the fixed guides(**a**). Split the upper part of the guides to make the easy entry of the rolling shutter.



2. Insert the guides(**a + d**) into the window opening and place a **wooden batten 2 mm** height under them to avoid that the projection frame rubbing on the sill once installed. Block the guides (**a**) to the wall using the screws 3,9x25 T.G.S (**i**). Repeat the same steps to the other side.



3. Insert the nylon inner stoppers (**f**) inside the crossbar (**g**) and the arms (**e**) inside the nylon bushings (**i**) fixing them to the rod (**l**) with 5.5x16 T.C. (**r**) screws. Fix the eyelets (**i**) on the crossbar (**g**) using screws 3,9x13 T.C. (**q**).

4. Close the projection frame and align the guides (**a+d**) perpendicular to the window sill. Keep arm and guide together (**e+d**). Fix the arm to the wall through the central hole using 3,9x32 T.G.S. (**m**) screws. **Unlock the arm and move 1 mm aluminum rest (h) towards the arm; fix the lower part of the rest (lower hole) and then fix the top using 3,9x25 T.C. (l) screws.** This prevents the arm rattling against the guide after installation. Repeat the same operations on the other side.

