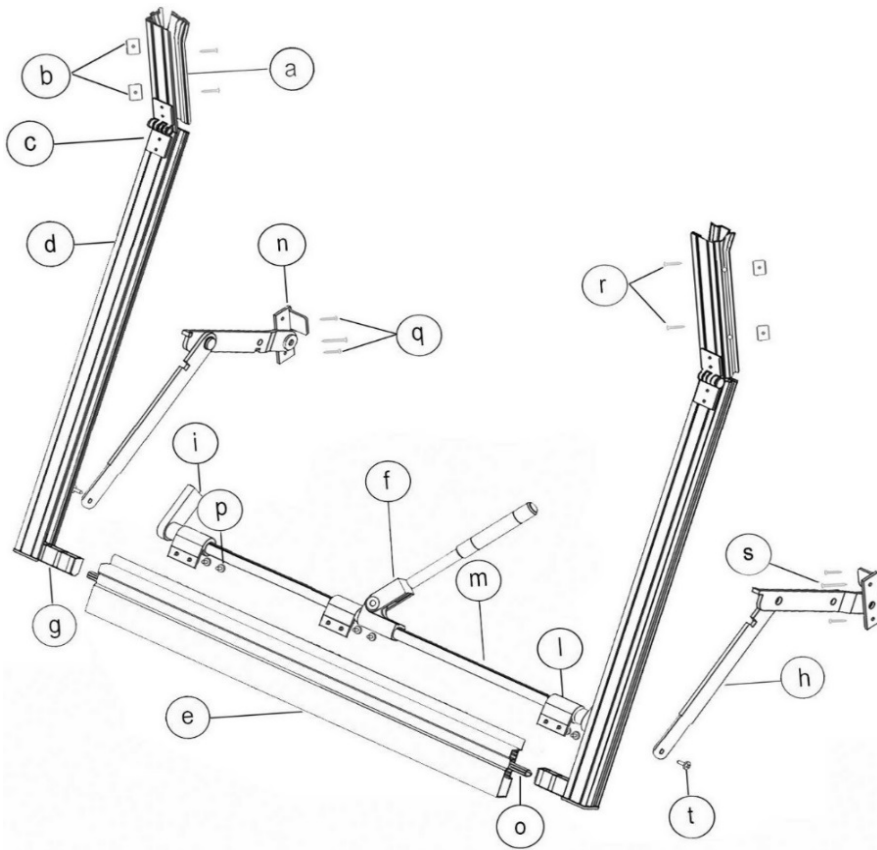
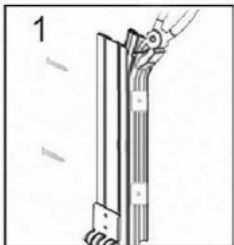


INSTALLATION INSTRUCTIONS CENTRAL LEVER "STARK" PROJECTION FRAME

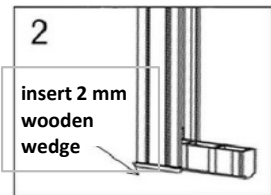


a	Fixed superior guide
b	Anti-rubbing nylon axle box
c	Hinges
d	Mobile guide
e	Crossbar
f	Handle
g	Stark inner stopper
h	Arms LC
i	Nylon bushing
l	Eyelet
m	Rod
n	Nylon rest arms LC
o	Safety bolt

SCREW KIT	
p	 N°6 Screws 3,9x13 T.C.
q	 N°4 Screws 3,9x25 T.C.
r	 N°4 Screws 3,9x25 T.G.S.
s	 N°2 Screws 3,9x32 T.G.S.
t	 N°2 Screws 5,5x16 T.C.

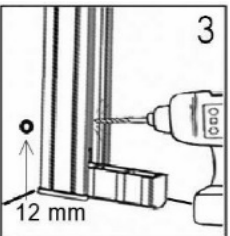


1. Place the anti-rubbing axle-boxes (**b**) over the two holes in the fixed guides (**a**). Split the upper part of the guides to make the easy entry of the rolling shutter.



2. Place the guides (**a+d**) into the window opening and **insert 2 mm wooden wedge height under them** to avoid the projection frame rubbing on the window sill after installation.

Fix the guides (**a**) to the wall using the 3,9x25 T.G.S (**r**) screws.



3. Align the guides (**a+d**) perpendicular to the window sill. Make a 12 mm hole in the wall for the safety bolts which pass through the hole onto the lower part of the mobile guide (**d**).

4. Insert the nylon inner stoppers (**g**) inside the crossbar (**e**) and the arms (**h**) inside the nylon bushings (**i**) fixing them to the rod (**m**) with 5.5x16 T.C. (**t**) screws.

5. Screw the eyelets (**l**) onto the crossbar (**e**) using 3.9x13 T.C. (**p**)screws, **following correct positioning as you can see in fig. 5.**

Close the frame and align the guides (**a+d**) perpendicular to the window sill. Keep arm and guide together (**e+d**) and fix it to the wall by the central hole using 3,9x32 T.G.S. (**m**) screws. Finish installing the arm to the wall using 3.9x25 T.C. (**q**) screws. Repeat the same operation on the other side.

