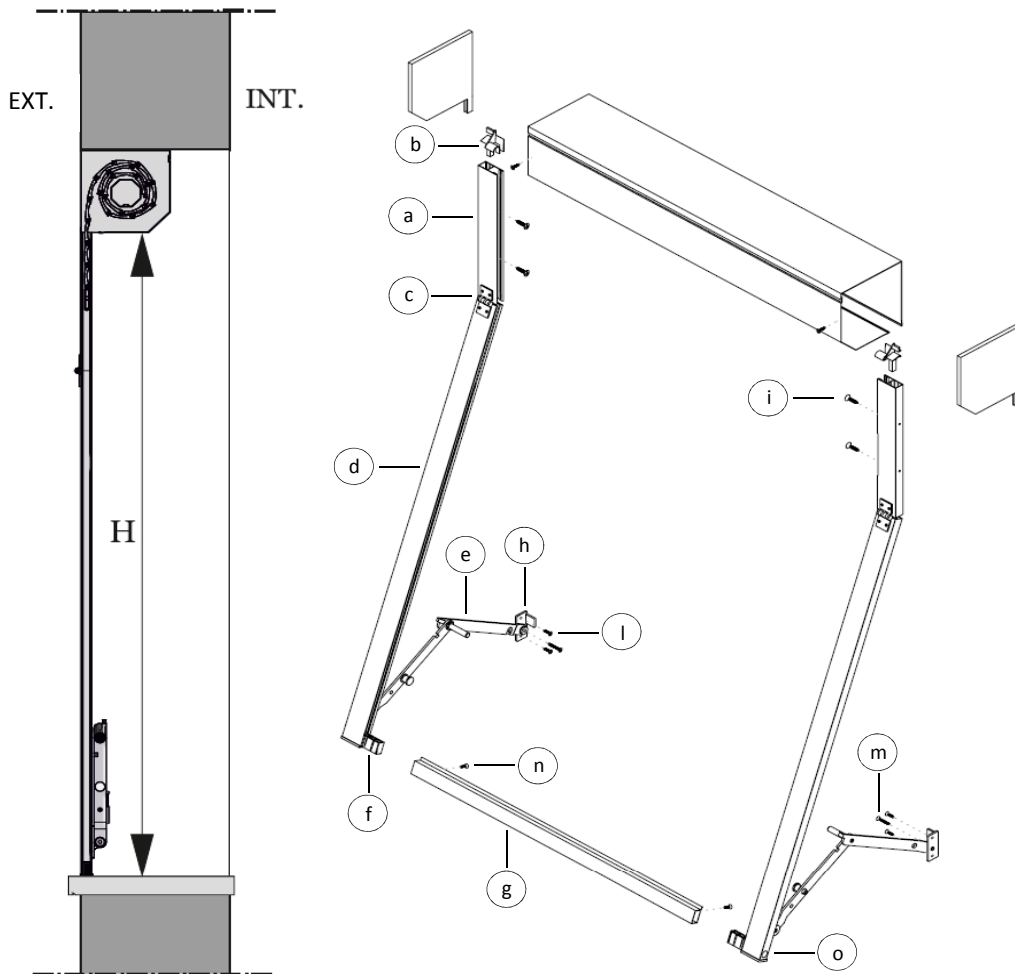
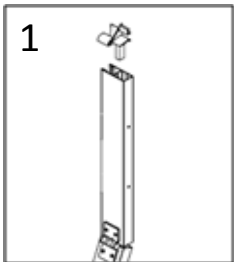


**INSTALLATION INSTRUCTIONS LATERAL LEVER "SPOCAL E53" and "SPOCAL E62" PROJECTION FRAMES IN THE WINDOW FRAME**

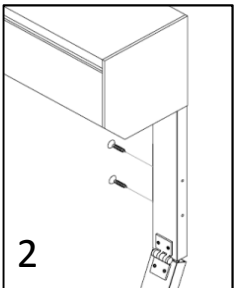


<b>a</b>	Fixed superior guide
<b>b</b>	Plastic entry guide
<b>c</b>	Hinges
<b>d</b>	Mobile guide
<b>e</b>	Arms LL
<b>f</b>	Nylon inner stopper
<b>g</b>	Crossbar
<b>h</b>	Aluminium rest arms LL
<b>o</b>	Plastic screw cover cap

SCREW KIT	
<b>i</b>	 N°4 Screws 3,9x25 T.G.S.
<b>l</b>	 N°4 Screws 3,9x25 T.C.
<b>m</b>	 N°2 Screws 3,9x32 T.G.S.
<b>n</b>	 N°2 Screws 3,9x13 T.C.

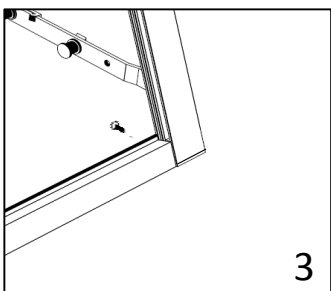


1. Insert the plastic entry guide (b) into the fixed guides (a) and fix them to the rolling shutter box already assembled (we suggest to install the roller shutter and accessories after fixing the box to the wall).



2. Fix the shutter box into the window opening and the guides (a) using the 3,9x25 T.G.S (i) screws.

3. Insert the nylon inner stoppers (f) into the crossbar (g) to connect it to the mobile guides (d). Fix them with the 3,9x13 T.C. (n) screws.



4. Close the projection frame and align the guides (a+d) perpendicular to the window sill. Keep arm and guide together (e+d). Fix the arm to the wall through the central hole using 3,9x32 T.G.S. (m) screws. **Unlock the arm and move 1 mm the aluminum rest (h) towards the arm; fix the lower part of the rest (lower hole) and then fix the top using 3,9x25 T.C. (l) screws.**

This prevents the arm rattling against the guide after installation.

Repeat the same operations on the other side.

