



GALVANIZED AND STAINLESS STEEL FRAMES LL FEATURES

Lateral Lever GALVANIZED or STAINLESS projection frames, packed in the desired sizes, are composed of:

- Galvanized or stainless steel guides (measures 18x22 mm or 18x32 mm) with splits at top for easy entry of rolling shutter and holes for installation.
- Galvanized or stainless steel crossbar (measures 18x22 mm or 18x32 mm).
- Galvanized or stainless steel arms.
- Galvanized and stainless steel hinges and inner stoppers.
- Screws for installation.

This is recommended for opening widths up to a maximum of 1400 mm.

N.B. The galvanized steel frames have the arms with snap locks (arms length 540 mm) as for Aluec model. The frames can be supplied with spring locking arms (arm length 570 mm or 470 mm) on request.

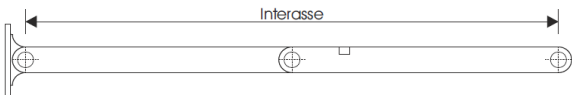
HOW TO ORDER:

- Provide window opening measurements:
Opening Width (L) X Opening Height (H).
If Type Rome, specify also additional measures of the right and the left side with respect to the opening width.

TYPE OF ARMS:

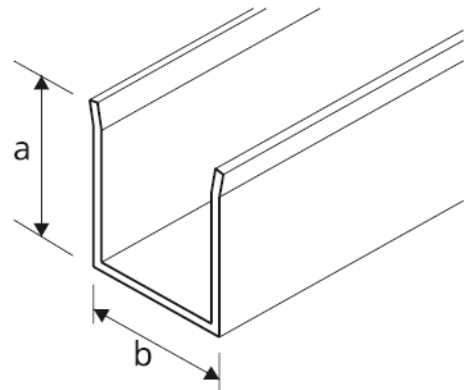
- Arms with snap lock of length 540 mm
- Welded arms with spring lock of length 470 mm
- Welded arms with spring lock of length 570 mm

For the stainless steel model only arms 570 mm in length are available

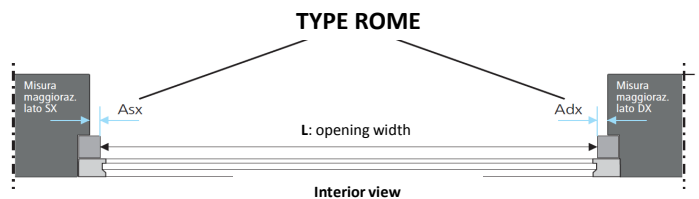
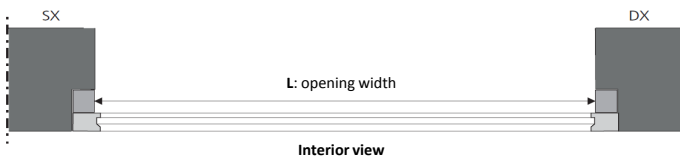
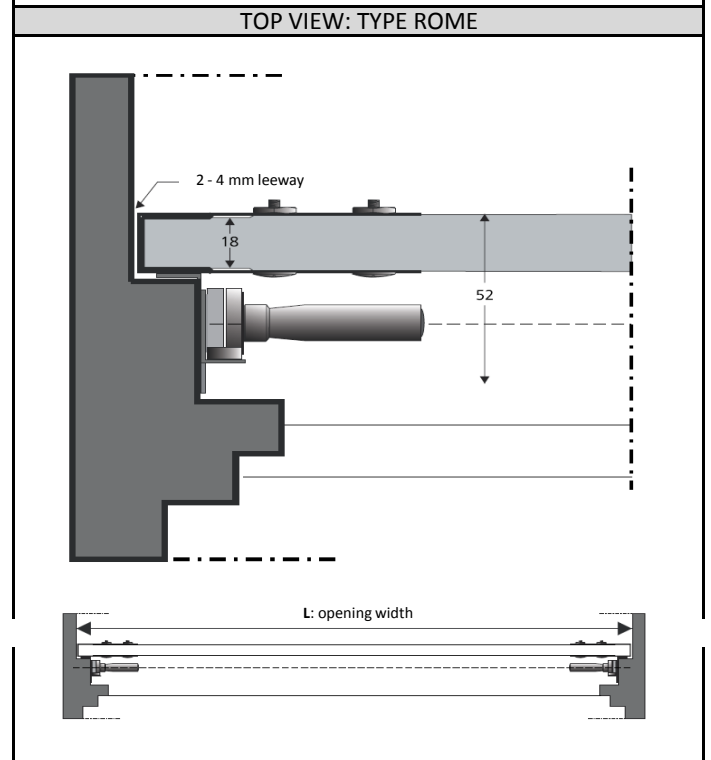
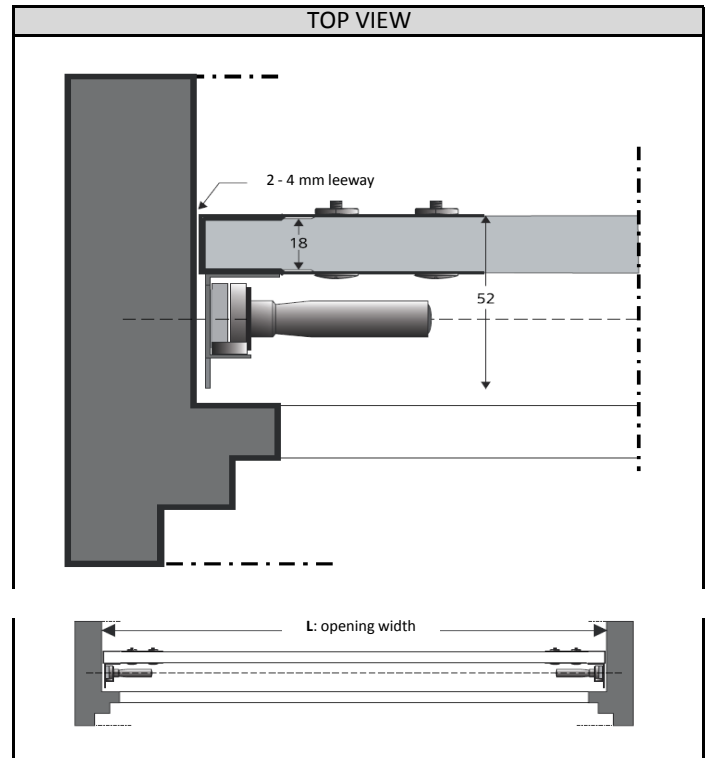
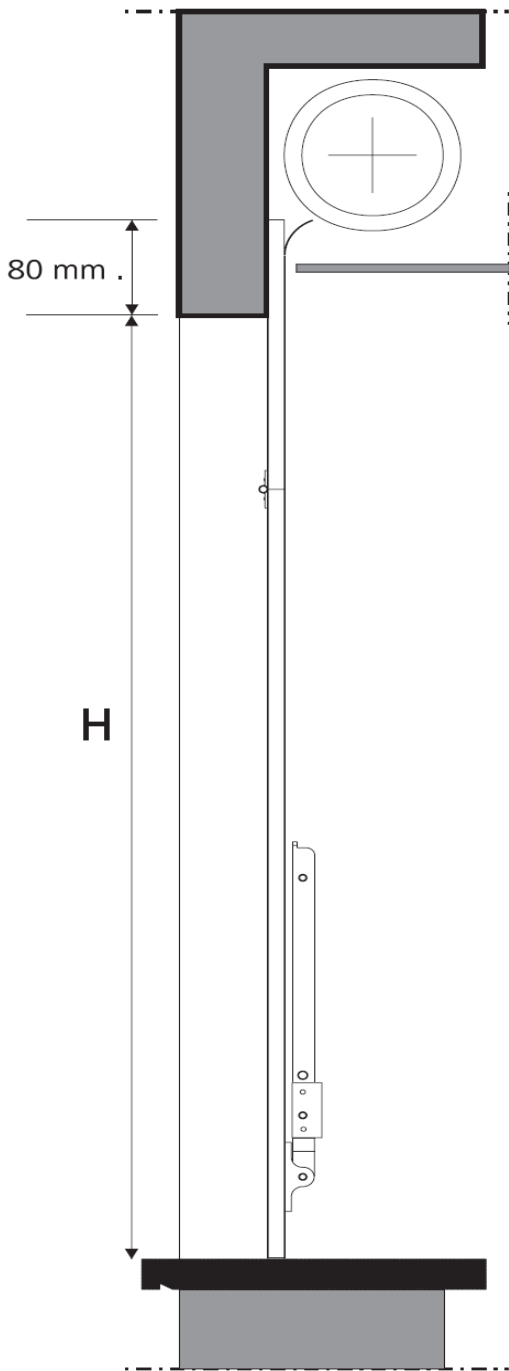


Snap lock
(for galvanized steel model)

Galvanized and stainless steel guide
(measures b x a: 18x22 mm or 18x32 mm)



GALVANIZED AND STAINLESS STEEL LL - TECHNICAL DETAILS





GALVANIZED AND STAINLESS STEEL FRAMES LC FEATURES

Central Lever GALVANIZED or STAINLESS projection frames, packed in the desired sizes, are composed of:

- Galvanized or stainless steel guides (measures 18x22 mm or 18x32 mm) with splits at top for easy entry of rolling shutter and holes for installation.
- Galvanized or stainless steel crossbar (measures 18x22 mm or 18x32 mm). Tubular crossbar on request.
- Galvanized or stainless steel arms, rod and handle.
- Galvanized and stainless steel hinges and inner stoppers.
- Screws for installation.
- Nylon rest arms LC.

This is recommended for windows over 1400 mm in width and up to a maximum of 3000 mm in width.

A double handle and a reinforcement inside the crossbar are installed on the frame for rolling shutters from 2300 mm to 3000 mm wide, unless otherwise specified.

N.B.: The LC frames in galvanized steel are produced without welding between arms and rod: they are connected by a nylon axle box to avoid damaging the galvanization of various components. On request: these frames can be made in the traditional manner with the arms welded onto rod.

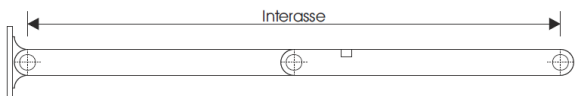
HOW TO ORDER:

- Provide window opening measurements:
Opening Width (L) X Opening Height (H).
If Type Rome, specify also additional measures of the right and the left side with respect to the opening width.

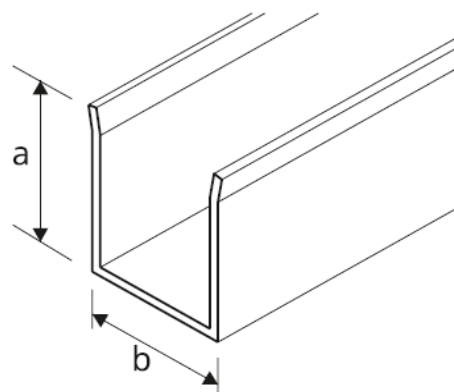
TYPE OF ARMS:

- Arms with snap lock of length 540 mm
- Welded arms with spring lock of length 470 mm
- Welded arms with spring lock of length 570 mm

For the stainless steel model only arms 570 mm in length are available



Galvanized and stainless steel guide
(measures b x a: 18x22 mm or 18x32 mm)



GALVANIZED AND STAINLESS STEEL LC - TECHNICAL DETAILS

